

# DS-KD8003-IME1/Flush Video Intercom Module Door Station

**HIKVISION**<sup>®</sup>

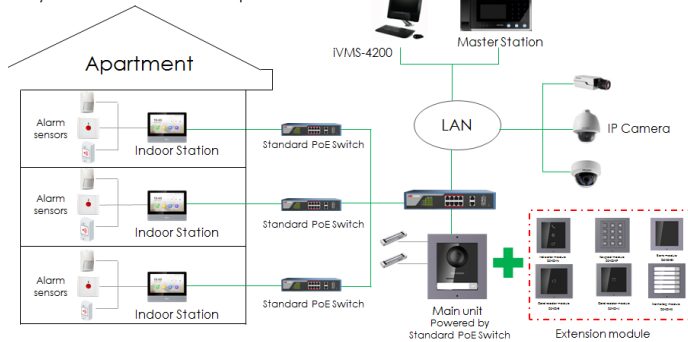


## Key Feature

- Modular door station for villa
- DS-KD8003 with its flush mounting accessories
- IP65 (DS-KD8003+DS-KD-ACF1/Plastic)
- 2 MP HD video intercom function
- Supports sub-modules access
- Easy to and extend

## Typical Application

System Framework for Apartment



|                  |   |
|------------------|---|
| Operation method | / |
| Type             | / |
| Resolution       | / |

### Video parameters

|                            |                                                     |
|----------------------------|-----------------------------------------------------|
| Supplement light           | IR supplement                                       |
| Video compression standard | H.264                                               |
| Lens                       | 1                                                   |
| FOV                        | Horizontal: 180° Vertical: 96°                      |
| WDR                        | Support                                             |
| Pixel                      | Main stream : 1920 × 1080<br>Sub stream : 720 × 480 |

### Audio parameters

|                            |                                                     |
|----------------------------|-----------------------------------------------------|
| Audio input                | Built-in omnidirectional microphone                 |
| Audio compression standard | G.711 U                                             |
| Audio output               | Built-in loudspeaker (More than 85 dB within 20 cm) |
| Audio compression bitrate  | 64 Kbps                                             |
| Audio quality              | Noise suppression and echo cancellation             |
| Volume adjustment          | Adjustable                                          |

## Specification

### System parameters

|                  |                                 |
|------------------|---------------------------------|
| Operation system | Embedded Linux operation system |
| Flash            | 16MB                            |
| RAM              | 256MB                           |
| CPU              | Embedded MCU Processor          |

### Display parameters

|      |   |
|------|---|
| Size | / |
|------|---|

### Capacity

|                      |   |
|----------------------|---|
| Fingerprint capacity | / |
|----------------------|---|

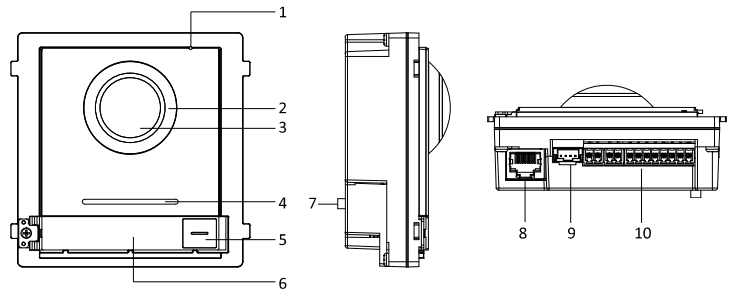
|                       |      |
|-----------------------|------|
| User capacity         | 2000 |
| Face capacity         | /    |
| Linked indoor station | 500  |
| Event capacity        | /    |

|                         |         |
|-------------------------|---------|
| Application environment | Outdoor |
| Power consumption       | 4 W     |

## Available Model

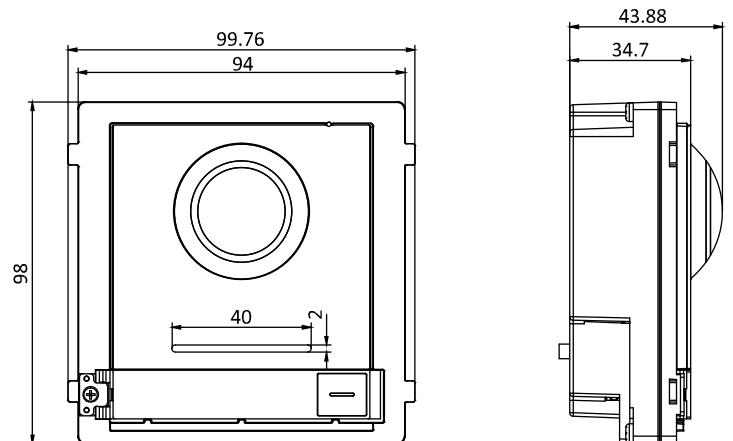
DS-KD8003-IME1/Flush

## Appearance and Interfaces



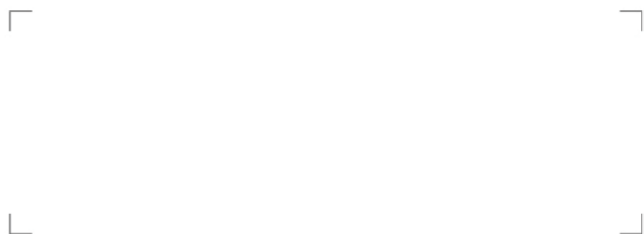
| No. | Description                          | No. | Description                          |
|-----|--------------------------------------|-----|--------------------------------------|
| 1   | Microphone                           | 6   | Nametag                              |
| 2   | Low Illumination IR Supplement Light | 7   | TAMPER                               |
| 3   | Built-in Camera                      | 8   | Network Interface                    |
| 4   | Loudspeaker                          | 9   | Module-connecting Interface (output) |
| 5   | Call Button                          | 10  | Terminals                            |

## Dimension



| Network parameters     |                                                                                                                                                                           |
|------------------------|---------------------------------------------------------------------------------------------------------------------------------------------------------------------------|
| Communication protocol | TCP/IP, RSTP                                                                                                                                                              |
| Wired network          | 10/100 Mbps self-adaptive Ethernet                                                                                                                                        |
| Wi-Fi                  | /                                                                                                                                                                         |
| Bluetooth              | /                                                                                                                                                                         |
| 3G/4G                  | /                                                                                                                                                                         |
| Device interfaces      |                                                                                                                                                                           |
| Alarm input            | 4                                                                                                                                                                         |
| TAMPER                 | 1                                                                                                                                                                         |
| Network interface      | 1                                                                                                                                                                         |
| Exit button            | 2                                                                                                                                                                         |
| RS-485                 | 1                                                                                                                                                                         |
| USB                    | 0                                                                                                                                                                         |
| Wiegand                | 0                                                                                                                                                                         |
| TF card                | 0                                                                                                                                                                         |
| Alarm output           | 0                                                                                                                                                                         |
| Lock control           | 2                                                                                                                                                                         |
| Door contact input     | 2                                                                                                                                                                         |
| Power interface        | 1                                                                                                                                                                         |
| General                |                                                                                                                                                                           |
| Button                 | 1                                                                                                                                                                         |
| Installation           | Flush mounting                                                                                                                                                            |
| Indicator              | 0                                                                                                                                                                         |
| Weight                 | Without package: 345 g<br>With package: 840 g                                                                                                                             |
| Protective level       | IP65                                                                                                                                                                      |
| Power supply method    | 12 VDC/PoE (IEEE 802.3af)                                                                                                                                                 |
| Working temperature    | -40° C to +55° C (-40° F to 131° F)                                                                                                                                       |
| Working humidity       | 10% to 95%                                                                                                                                                                |
| Dimensions             | Door station: 98 mm × 99.8 mm × 43.9 mm (3.86" × 3.93" × 1.73")<br>Cover: 134 × 124 × 4 mm (5.28" × 4.88" × 0.16")<br>Gang box: 134 × 135 × 56 mm (5.28" × 5.31" × 2.20") |
| Battery                | /                                                                                                                                                                         |

Distributed by

**HIKVISION®****Headquarters**

No.555 Qianmo Road, Binjiang District,  
Hangzhou 310051, China  
T +86-571-8807-5998  
overseasbusiness@hikvision.com

**Hikvision USA**

T +1-909-895-0400  
sales.usa@hikvision.com

**Hikvision Australia**

T +61-2-8599-4233  
salesau@hikvision.com

**Hikvision India**

T +91-22-28469900  
sales@pramahikvision.com

**Hikvision Canada**

T +1-866-200-6690  
sales.canada@hikvision.com

**Hikvision Thailand**

T +662-275-9949  
sales.thailand@hikvision.com

**Hikvision Europe**

T +31-23-5542770  
sales.eu@hikvision.com

**Hikvision Italy**

T +39-0438-6902  
info.it@hikvision.com

**Hikvision Brazil**

T +55 11 3318-0050  
Latam.support@hikvision.com

**Hikvision Turkey**

T +90 (216)521 7070- 7074  
sales.tr@hikvision.com

**Hikvision Malaysia**

T +601-7652-2413  
sales.my@hikvision.com

**Hikvision UK & Ireland**

T +01628-902140  
sales.uk@hikvision.com

**Hikvision South Africa**

Tel: +27 (10) 0351172  
sale.africa@hikvision.com

**Hikvision France**

T +33(0)1-85-330-450  
info.fr@hikvision.com

**Hikvision Kazakhstan**

T +7-727-9730667  
nikia.panfilov@hikvision.ru

**Hikvision Vietnam**

T +84-974270888  
sales.vt@hikvision.com

**Hikvision UAE**

T +971-4-4432090  
salesme@hikvision.com

**Hikvision Singapore**

T +65-6684-4718  
sg@hikvision.com

**Hikvision Spain**

T +34-91-737-16-55  
info.es@hikvision.com

**Hikvision Tashkent**

T +99-87-1238-9438  
uzb@hikvision.ru

**Hikvision Hong Kong**

T +852-2151-1761  
info.hk@hikvision.com

**Hikvision Russia**

T +7-495-669-67-99  
saleru@hikvision.com

**Hikvision Korea**

T +82-(0)31-731-8817  
sales.korea@hikvision.com

**Hikvision Poland**

T +48-22-460-01-50  
info.pl@hikvision.com

**Hikvision Indonesia**

T +62-21-2933759  
Sales.Indonesia@hikvision.com

**Hikvision Colombia**

sales.colombia@hikvision.com